

Features

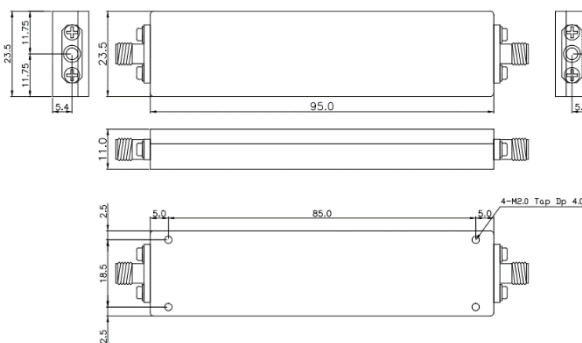
- Wide Band Cavity Band Pass Filter (28.3%)
- Very compact size and low weight
- Typical 0.5 dB Insertion Loss



Specifications

Parameter	Specifications	Remarks
Frequency Range	10,900 ~ 14,500 MHz	
Center Frequency	12,700 MHz	
Bandwidth	3,600 MHz	
Insertion Loss (Max.)	0.7 dB	
Pass Band Ripple (Max.)	0.4 dB	
Return Loss (Min.)	11.7 dB Min. (1.7:1 VSWR)	
Rejection (Min.)	47 dBc @ 2,200 ~ 9,700 MHz	
	54 dBc @ 15,400 MHz	
In/ Out Impedance	50 Ω	
Handling Power (Max.)	CW 1 W	
Temperature Range	-20 ~ +85 °C	
Dimensions	23.5 * 95.0 * 11.0 mm	Excluding Connectors
Connector	SMA (Female)	

Outline drawing



Typical Response

